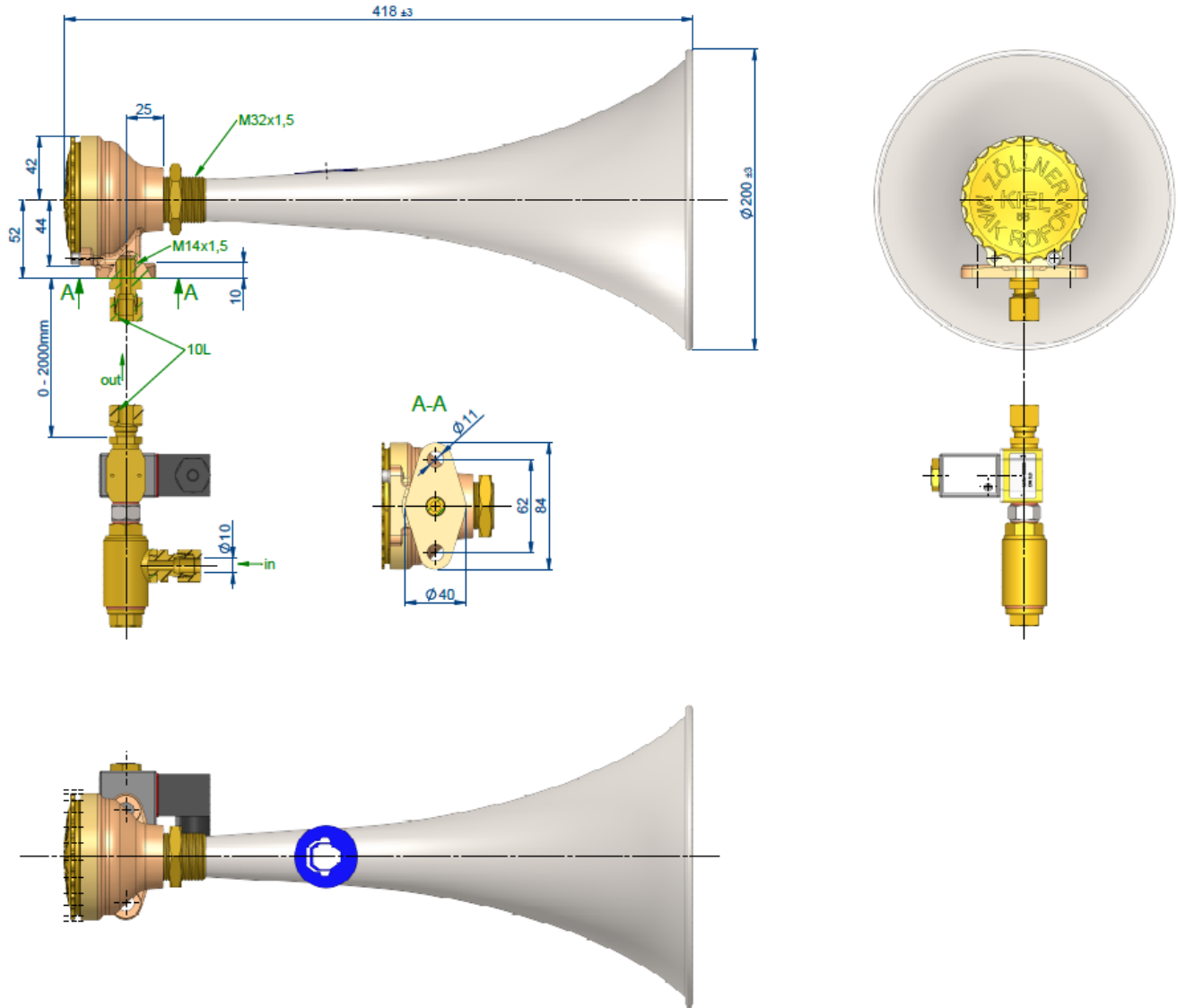


Makrofon M75F/370 HVE with filter F4
Makrofon M75F/370 HVE mit Filter F4



weight: approx. 2.9 kg

TYPE	SHIP LENGTH	FUNDAMENTAL FREQUENCY	SOUND INTENSITY IN 1/3RD-OCT. BAND LEVEL AT 1 M	TYPE APPROVAL	AIR PRESSURE	AIR CONSUMPTION FREE, DRY AIR	AIR PIPE CONNECTION	SYSTEM VOLTAGE	PROTECTION TYPE
M75F/370	20<75 m	370 Hz	130 dB	✓	4-10 bar	8- 12 l/sec	10x1 mm	115 V AC 230 V AC 24 V DC	IP 56